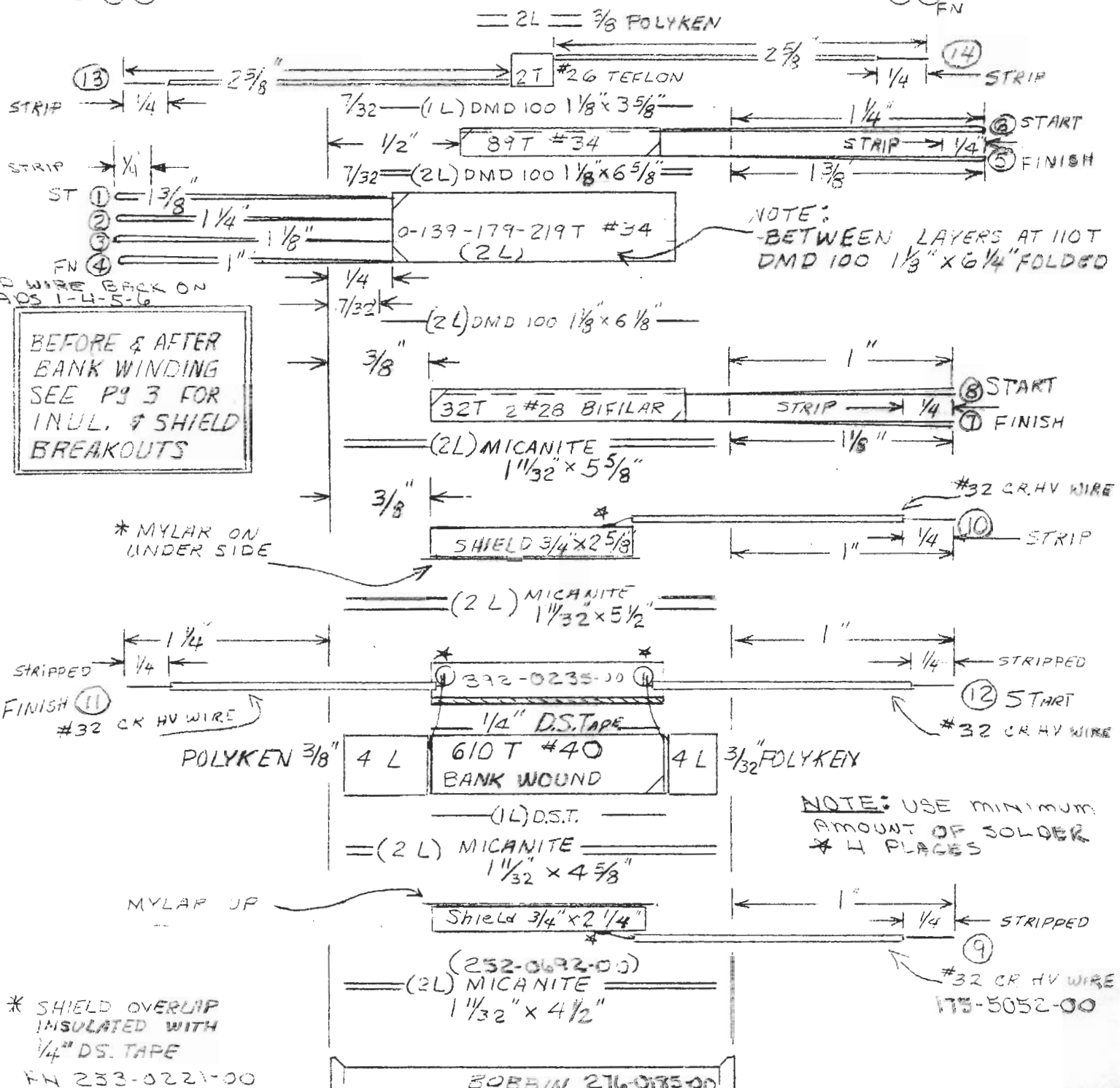
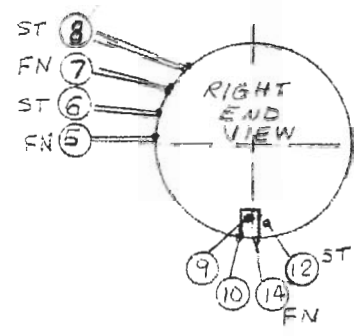
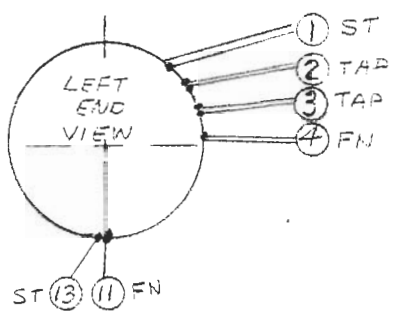


DESCRIPTION: U-I HI VOLTAGE XFR INSTR. 7834

|                              |                    |
|------------------------------|--------------------|
| NAME: JOHN JURECKA           |                    |
| PROJ. NO. 004-690            |                    |
| RESP. NO. 0/21-84-8539       |                    |
| DEL. STA. 50-385             | EXT 6000           |
| DESIGNED BY: Darrel Williams |                    |
| DATE 11 Dec 74               | REV DATE 20 May 75 |

|                    |         |
|--------------------|---------|
| ENG. NO. 74-65     | REV. XA |
| TEK PN 120-1065-02 |         |
| REF TO             |         |

TRANSF, PWR, SDN+30 (HIGH VOLTAGE) P.1



BEFORE & AFTER BANK WINDING SEE PG 3 FOR INUL. & SHIELD BREAKOUTS

NOTE: BETWEEN LAYERS AT HOT DMD 100 1 1/8 x 6 1/4 FOLDED

NOTE: USE MINIMUM AMOUNT OF SOLDER \* 4 PLACES

\* SHIELD OVERLAP INSULATED WITH 1/4" DS. TAPE FN 253-0221-00

\* MYLAR ON UNDER SIDE

MYLAR UP

FOLD WIRE BACK ON LEADS 1-4-5-6

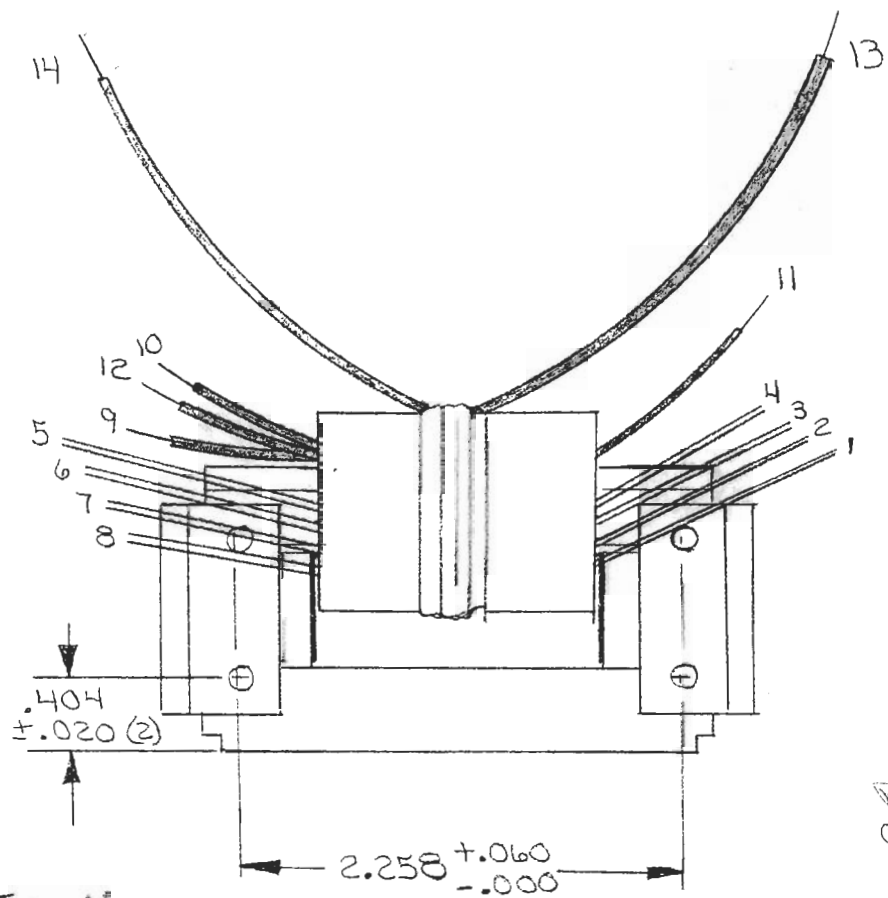
\* 32 CR HV WIRE 175-5052-00

|                   |            |
|-------------------|------------|
| ENG. NO.<br>74-65 | REV.<br>XA |
| EX PN 120-1065-02 |            |
| REF TO            |            |

DESCRIPTION  
H.V. XFMR

INSTR.  
7834

|                            |                   |
|----------------------------|-------------------|
| NAME: JOHN DURECKA         |                   |
| PROJ. NO. 004690           |                   |
| RESP. NO. 012184-8539      |                   |
| DEL. STA. 50-385           | EXT               |
| DESIGNED BY: DARREL WILHOV |                   |
| DATE 11 DEC 74             | REV DATE 29 JUN 7 |



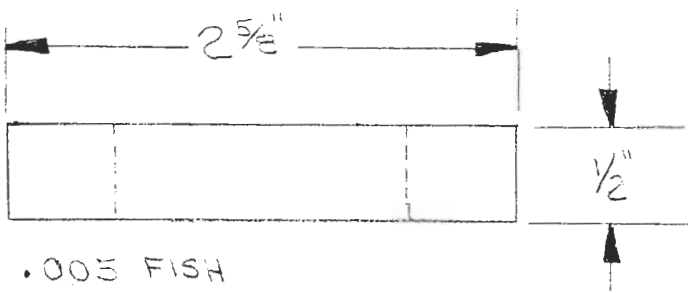
PART NUMBER  
OPPOSITE SIDE

$\mu = 2mH$   
 $\text{min } L = 1.65mH$

POXY "I" CORE, "U" CORE  
AND SUPPORTS TOGETHER.  
PLACE SUPPORTS AS SHOWN.

COIL ONLY: SILICONE PRE-PREG  
SILICONE IMPREGNATE

- 276-0639-00 "I" CORE (1 EA)
- 276-0636-00 "U" CORE (1 EA)
- 386-2041-00 SUPPORT (2 EA)



.005 FISH  
252-0537-00  
INSERT BETWEEN "I" BAR AND COIL FORM

DESCRIPTION

U.I. HIGH VOLTAGE XFR

INSTR.

7834

NAME: JOHN DUKECKA

PROJ. NO. 004-690

ENG. NO.

REV.

74-65

XA

Fig 3.

RESP. NO. 0121-84-8539

TEK PN 120-1065-02

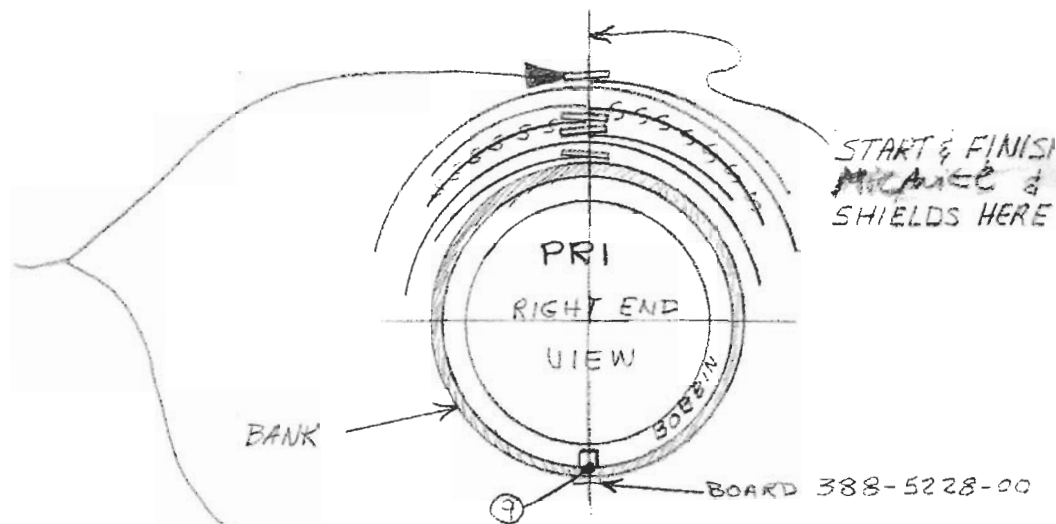
DEL. STA. 50-385 EXT 600

REF TO

DESIGNED BY: Darrel Wilho

DATE 11 Dec 74 REV DATE 20 MAY 79

ALL END TAPES 1/4" DST.  
PN 253-0221-00



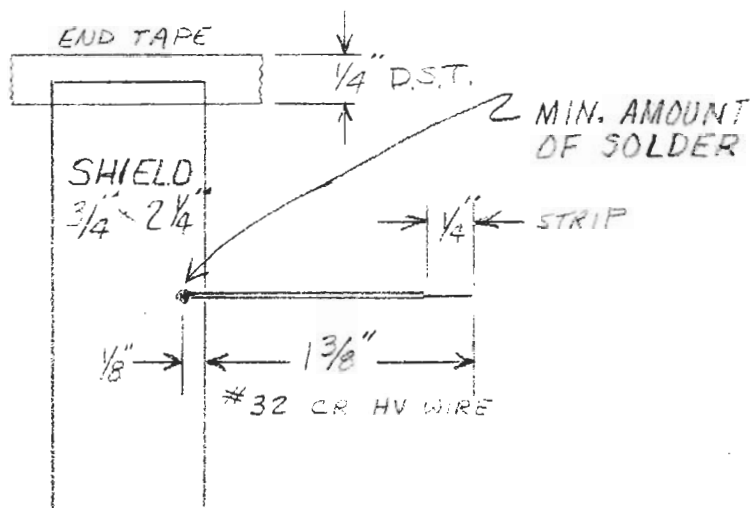
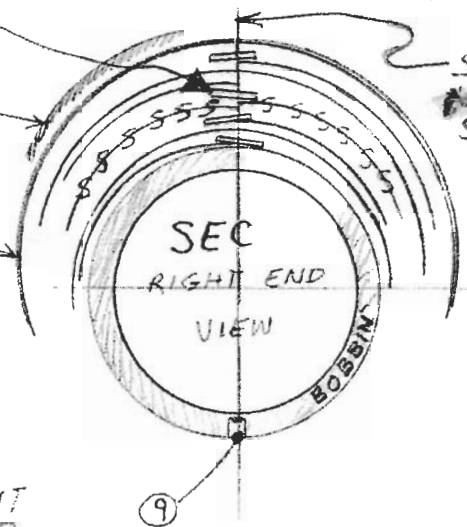
#32 CR HV WIRE

| LEAD NO | LENGTH   | STRIP     |
|---------|----------|-----------|
| ⑨ & ⑩   | 1 15/32" | 1/8 & 1/4 |
| ⑪       | 1 25/32" | 1/8 & 1/4 |
| ⑫       | 1 7/32"  | 1/8 & 1/4 |

(1L) D.S.T.

BANK

START & FINISH MICAWITE SHIELDS HERE

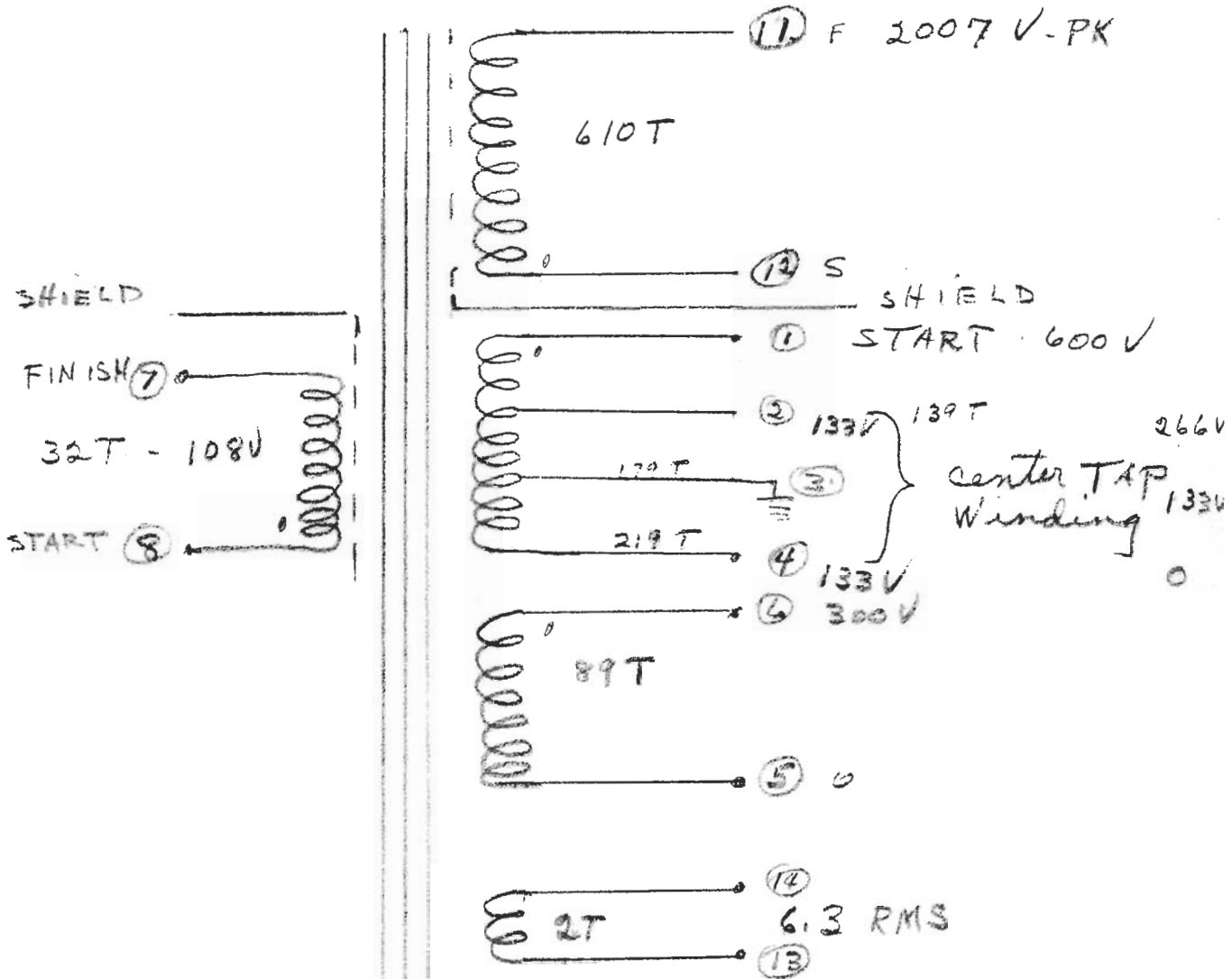


SHIELD MATERIAL  
253-0220-00

4 LAYER BANK -  
 BACK CAM DRIVE 40 DR-810N  
 PROGRESSION 30:100 DV  
 2:1 REDUCTION  
 CAM THROW ADJUST  
 1 DIVISIONS

610T #40

|                    |      |        |                                 |
|--------------------|------|--------|---------------------------------|
| DESCRIPTION        |      | INSTR. | NAME: John Wureka               |
| 74-65              |      | 7834   | PROJ. NO. 004-690               |
| ENG. NO.           | REV. |        | RESP. NO. 0121-84-8539          |
| 74-65              | XA   |        | DEL. STA 50-385 EXT 600         |
| TEK PN             |      |        | DESIGNED BY: Darrel Wilkins     |
| REF TO 120-1065-02 |      |        | DATE 11/2/74 REV DATE 20 MAY 75 |



# TRANSFORMER & COIL ENGINEERING CHANGE NOTICE

|   |                       |                       |                    |                      |
|---|-----------------------|-----------------------|--------------------|----------------------|
| TEKTRONIX PART NUMBER<br>120-1065-00    | ENG P/N-Rev<br>74-65X | PROJECT NO.<br>004690 | INSTRUMENT<br>7834 | BY:<br>JUDY WOODFALL |
| DESCRIPTION TRANSF, PWR, SON & SD (HV.) |                       |                       |                    | DATE 25 JUNE 76      |

**CHANGE**

① WIRE SIZE ON H.V. WINDING (12-11)  
 WAS #41 GE#2  
 NOW #40 GE#2 PN 176-0196-00

② REPOSITION BRACKETS ON CORE.

ENG NO NOW 74-65 XA

③ USE EPOXY FOR CORES AND CLAMPS INSTEAD OF PERMA BOND.

④ MINOR CORRECTIONS ON ENG. SHEET REISSUED BUFF CONTROL COPIES.

**APPROVED BY:**

|                                     |
|-------------------------------------|
| DESIGN ENG<br><i>Darrel Wilhoit</i> |
| PRODUCTION ENG                      |
| PRODUCTION MGR                      |
| NEW PRODUCTS COOR.                  |
| OTHER                               |

**REASON FOR CHANGE**

- ① #41 AWG GE#2 IS NOT READILY AVAILABLE SO WOULD BE EXPENSIVE.
- ② REQUESTED BY XFMR PRODUCTION SO PRESENT FIXTURES CAN BE USED.

COPIES: NO. 9 NOTE: This is not an Eng P/N change, but a notice to change the Eng P/N and/or production process sheets.

| PROD. STAFF                                     | DESIGN ENG   | TRANS. MGR.   | TOROIDS & COILS                         |
|---|--|---|---|
| <input checked="" type="checkbox"/> Tom Morisky | <input type="checkbox"/> Al Crane                  | <input type="checkbox"/> Roger Noyes                  | <input type="checkbox"/> Jerry Bonacker |
| <input checked="" type="checkbox"/> Dave Renner | <input type="checkbox"/> Bob Cogan                 | <input checked="" type="checkbox"/> Roger Heiser      | <input type="checkbox"/> Bob Kaufman    |
| <input type="checkbox"/> Bob Fitzpatrick        | <input type="checkbox"/> Larry Clem                | <input type="checkbox"/> Dan Morrison                 | <input type="checkbox"/> Cary Haag      |
| <input type="checkbox"/> Les Petty              | <input checked="" type="checkbox"/> Judy Woodfall  | <input type="checkbox"/> Bob Trowbridge               | <input type="checkbox"/> Ted Hiatt      |
| <input checked="" type="checkbox"/> Jim Meusey  | <input checked="" type="checkbox"/> Darrel Wilhoit | <input checked="" type="checkbox"/> RUTH VANDENHEEDER |   |
| <input checked="" type="checkbox"/> EVELYN ROSS | <input type="checkbox"/> Dave Moeckli              |   |   |
|   | <input checked="" type="checkbox"/> JOHN DURECKA   |   |   |

# TRANSFORMER & COIL ENGINEERING CHANGE NOTICE

|   |                         |                       |                    |                              |
|---|-------------------------|-----------------------|--------------------|------------------------------|
| TEKTRONIX PART NUMBER<br>120-1065-00  | ENG P/N-Rev<br>74-65 XA | PROJECT NO.<br>004690 | INSTRUMENT<br>7834 | BY:<br>JUDY WOODFALL         |
| DESCRIPTION<br>H.V. TRANSFORMER   |                         |                       |                    | DATE<br>14 JULY 76           |
| <u>CHANGE</u><br><br>PN OF CIRCUIT BOARD CHANGED.<br><br>WAS 388-5228-00<br><br>NOW 392-0235-00<br>TERMINAL BOARD |                         |                       |                    | APPROVED BY:                 |
|   |                         |                       |                    | DESIGN ENG<br>DARREL WILHOIT |
|   |                         |                       |                    | PRODUCTION ENG               |
|   |                         |                       |                    | PRODUCTION MGR               |
|   |                         |                       |                    | NEW PRODUCTS COOR.           |
|   |                         |                       |                    | OTHER                        |

REASON FOR CHANGE

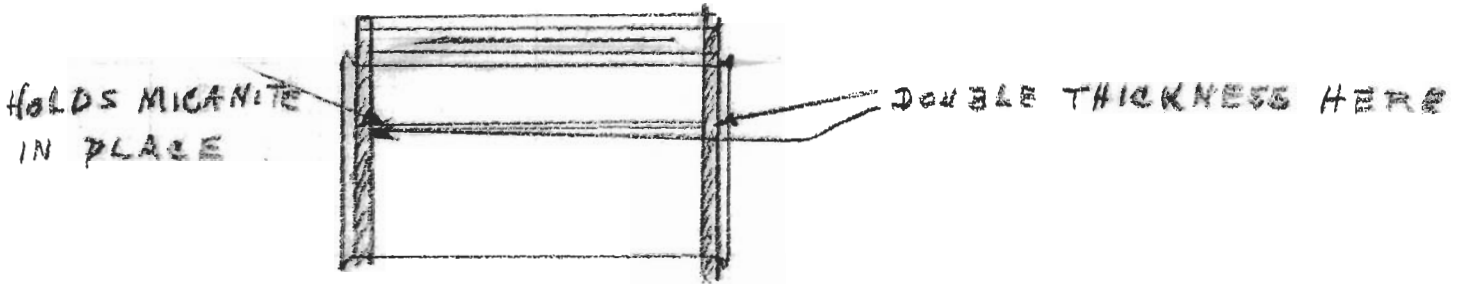
INSTR. MECH. ENG. CHANGED NO. 19 MAY 76  
REASON UNKNOWN.

COPIES: NO. 6 NOTE: This is not an Eng P/N change, but a notice to change the Eng P/N and/or production process sheets.

- | PROD. STAFF                                     | DESIGN ENG   | TRANS. MGR.                                      | TOROIDS & COILS                         |
|---|--|--|---|
| <input checked="" type="checkbox"/> Tom Morisky | <input type="checkbox"/> Al Crane                  | <input type="checkbox"/> Roger Noyes             | <input type="checkbox"/> Jerry Bonacker |
| <input type="checkbox"/> Dave Renner            | <input type="checkbox"/> Bob Cogan                 | <input checked="" type="checkbox"/> Roger Heiser | <input type="checkbox"/> Bob Kaufman    |
| <input type="checkbox"/> Bob Fitzpatrick        | <input type="checkbox"/> Larry Clem                | <input type="checkbox"/> Dan Morrison            | <input type="checkbox"/> Cary Haag      |
| <input type="checkbox"/> Les Petty              | <input checked="" type="checkbox"/> Judy Woodfall  | <input type="checkbox"/> Bob Trowbridge          | <input type="checkbox"/> Ted Hiatt      |
| <input checked="" type="checkbox"/> Jim Meusey  | <input checked="" type="checkbox"/> Darrel Wilhoit |  |   |
| <input checked="" type="checkbox"/> EVELYN ROSS | <input type="checkbox"/> Dave Moeckli              |  |   |
|   | <input type="checkbox"/>                           |  |   |

# TRANSFORMER & COIL ENGINEERING CHANGE NOTICE

|  |             |                               |                           |                                     |
|--|-------------|-------------------------------|---------------------------|-------------------------------------|
| TEKTRONIX PART NUMBER<br><i>120-1065-00</i>  | ENG P/N-Rev | PROJECT NO.<br><i>004-690</i> | INSTRUMENT<br><i>7834</i> | BY: <i>John Duraska</i>             |
| DESCRIPTION<br><i>HV SQUARE WAVE XFR</i>   |             |                               |                           | DATE<br><i>21 Oct 76</i>            |
| <p><u>CHANGE</u></p> <p style="font-size: 1.2em; margin-top: 20px;"><i>ADD 1 TURN 3/16" TOLYKEN TAPE OVER THE MICANITE AT EACH END OF COIL BOBBIN. THIS SHOULD HAVE DOUBLE THICKNESS AT THE LAP JOINT WHERE THE MICANITE ENDS.</i></p> |             |                               |                           | APPROVED BY:                        |
|  |             |                               |                           | DESIGN ENG<br><i>Darrel Wilhoit</i> |
|  |             |                               |                           | PRODUCTION ENG                      |
|  |             |                               |                           | PRODUCTION MGR                      |
|  |             |                               |                           | NEW PRODUCTS COOR.                  |
|  |             |                               |                           | OTHER                               |



REASON FOR CHANGE

COPIES: NO. *6* NOTE: This is not an Eng P/N change, but a notice to change the Eng P/N and/or production process sheets.

- | PROD. STAFF                                     | DESIGN ENG   | TRANS. MGR.                                      | TOROIDS & COILS                         |
|---|--|--|---|
| <input checked="" type="checkbox"/> Tom Morisky | <input type="checkbox"/> Al Crane                  | <input type="checkbox"/> Roger Noyes             | <input type="checkbox"/> Jerry Bonacker |
| <input type="checkbox"/> Dave Renner            | <input type="checkbox"/> Bob Cogan                 | <input checked="" type="checkbox"/> Roger Heiser | <input type="checkbox"/> Bob Kaufman    |
| <input type="checkbox"/> Bob Fitzpatrick        | <input type="checkbox"/> Larry Clem                | <input type="checkbox"/> Dan Morrison            | <input type="checkbox"/> Cary Haag      |
| <input type="checkbox"/> Les Petty              | <input checked="" type="checkbox"/> Judy Woodfall  | <input type="checkbox"/> Bob Trowbridge          | <input type="checkbox"/> Ted Hiatt      |
| <input checked="" type="checkbox"/> Jim Meusey  | <input checked="" type="checkbox"/> Darrel Wilhoit |  |   |
| <input checked="" type="checkbox"/> EVELYN BOSS | <input type="checkbox"/> Dave Moeckli              |  |   |
|   | <input type="checkbox"/>                           |  |   |

# TRANSFORMER & COIL ENGINEERING CHANGE NOTICE

|  |                                |             |                           |                         |
|--|--------------------------------|-------------|---------------------------|-------------------------|
| TEKTRONIX PART NUMBER<br><i>120-1065-00</i>  | ENG P/N-Rev<br><i>74-65 XA</i> | PROJECT NO. | INSTRUMENT<br><i>7834</i> | BY:<br><i>J meusey</i>  |
| DESCRIPTION  |                                |             |                           | DATE<br><i>11/23/96</i> |
| <u>CHANGE</u><br><br><div style="font-size: 1.2em; margin-top: 20px;"><i>change lead length on # 4 to 1 1/4"</i></div> |                                |             |                           | APPROVED BY:            |
|  |                                |             |                           | DESIGN ENG              |
|  |                                |             |                           | PRODUCTION ENG          |
|  |                                |             |                           | PRODUCTION MGR          |
|  |                                |             |                           | NEW PRODUCTS COOR.      |
|  |                                |             |                           | OTHER                   |

REASON FOR CHANGE

*lead # 4 too short*

|         |              |   |
|---------|--------------|---|
| COPIES: | NO. <i>6</i> | NOTE: This is not an Eng P/N change, but a notice to change the Eng P/N and/or production process sheets. |
|---------|--------------|---|

| PROD. STAFF                                     | DESIGN ENG   | TRANS. MGR.                                      | TOROIDS & COILS                         |
|---|--|--|---|
| <input checked="" type="checkbox"/> Tom Morisky | <input type="checkbox"/> Al Crane                  | <input type="checkbox"/> Roger Noyes             | <input type="checkbox"/> Jerry Bonacker |
| <input type="checkbox"/> Dave Renner            | <input type="checkbox"/> Bob Cogan                 | <input checked="" type="checkbox"/> Roger Heiser | <input type="checkbox"/> Bob Kaufman    |
| <input type="checkbox"/> Bob Fitzpatrick        | <input type="checkbox"/> Larry Clem                | <input type="checkbox"/> Dan Morrison            | <input type="checkbox"/> Cary Haag      |
| <input type="checkbox"/> Les Petty              | <input checked="" type="checkbox"/> Judy Woodfall  | <input type="checkbox"/> Bob Trowbridge          | <input type="checkbox"/> Ted Hiatt      |
| <input checked="" type="checkbox"/> Jim Meusey  | <input checked="" type="checkbox"/> Darrel Wilhoit |  |   |
| <input checked="" type="checkbox"/> EVELYN ROSS | <input type="checkbox"/> Dave Moeckli              |  |   |
|   | <input type="checkbox"/>                           |  |   |



74-65XA - 120-1065-

25 March 77

S0535 - 5 mill (micanite) substitute

Macallen # 1141936 -

New Market  
New-Hampshire

3 Transformers made and tested

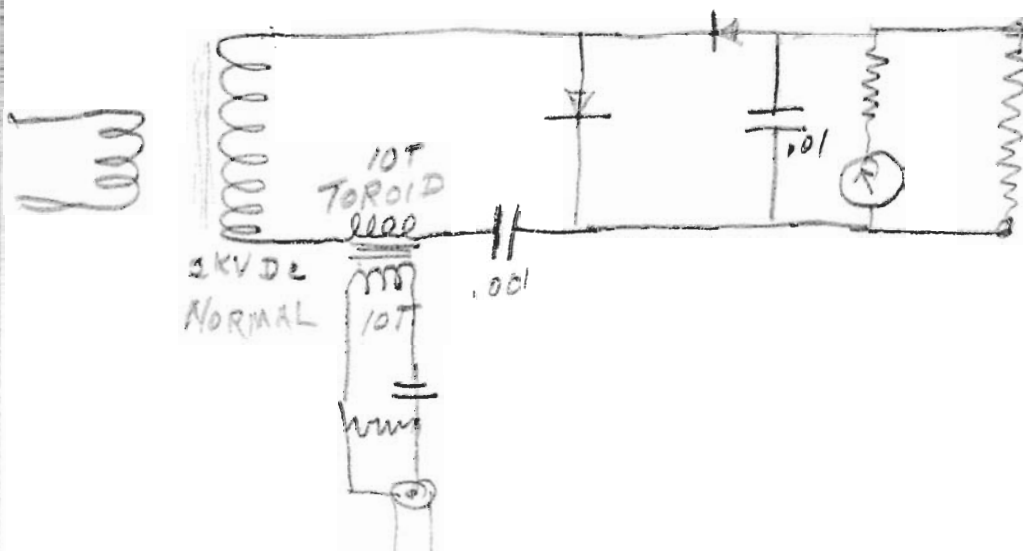
#1 operation OK @ 5KVDC and 39K Feet

#2 operation still good at 39K Feet 5KVDC

#3 operation OK @ 5KVDC and 39K FEET

TESTED at 5KVDC

4KVDC NORMAL  
3 MEG



SCOPE used to look at leakage

Darrel Halbank

74-65XA - 120-1065-

25 March 77

S0535 - 5 mill

(micanite) substitute

Macallen # 1141936

New Market  
New-Hampshire

3 Transformers made and tested

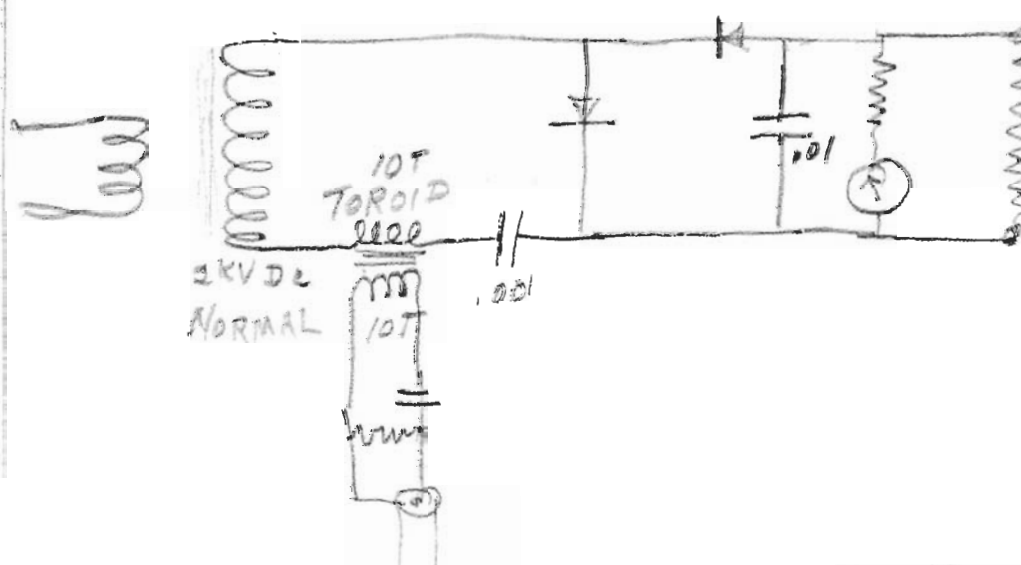
#1 operation OK @ 5KVDC and 39K Feet

#2 operation still good at 39K Feet 5KVDC

#3 operation OK @ 5KVDC and 39 K FEET

TESTED AT 5KVDC

4KVDC NORMAL  
3 MEG



SCOPE used to look at leakage

Darrel Halbock